

## Mini Ball Valve

## Model No. GV-153-M-BV

### Features

- Maximum working pressure:  
2000 psi (140 bar) at 100°F (38°C)
- Working temperature:  
Up to 464°F to (240°C) with PTFE packing
- A 304 stainless steel handle covered with vinyl sleeve gives quarter turn rust-free operation.
- Valves with PTFE seats are supplied with sleeves on handles.
- The stem with shoulder provides blowout proof design to maintain seal integrity at all pressure.
- Optional sour gas service conforms to NACE MR0175.
- Ball valves are hydrostatic tested at the full rated pressure and low pressure pneumatic at 70 psi.
- 100% factory tested
- Material: SS304L/SS316L, Monel, Hastelloy, Inconel & Duplex
- Material Traceability

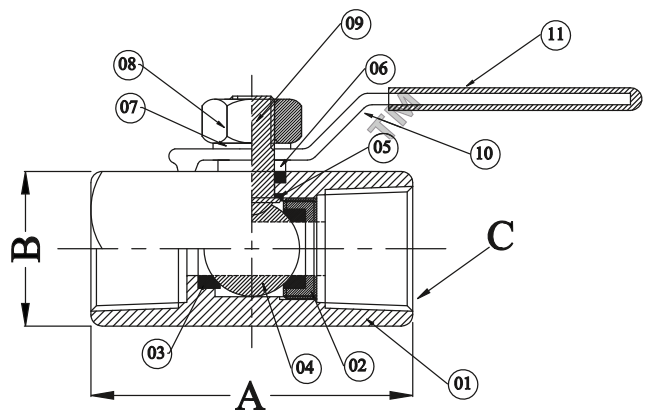


### Bill of Material

Sr. No.	Description	Material	Qty
1	Body	SS316	1
2	Chuck Nut	SS304	1
3	Seat Ring	PTFE	2
4	Ball	SS316	1
5	Gland Seal	PTFE	2
6	Gland Washer	SS304	1
7	Spring Washer	SS	1
8	Lock Nut	SS304	1
9	Stem	SS304	1
10	Handle	SS304	1
11	Handle Sleeve	Rubber	1

### 3000 PSI

Model No.	A	B (A/F)	C
GV-153-M-BV-4	46.0	19.0	1/4"BSP(F)
GV-153-M-BV-6	50.0	22.0	3/8"BSP(F)
GV-153-M-BV-8	57.0	28.5	1/2"BSP(F)
GV-153-M-BV-12	65.0	36.0	3/4"BSP(F)
GV-153-M-BV-16	71.0	41.0	1"BSP(F)
GV-153-M-BV-20	88.0	50.0	1 1/4"BSP(F)
GV-153-M-BV-24	100.0	63.0	1 1/2"BSP(F)
GV-153-M-BV-32	116.0	71.0	2"BSP(F)



Note: All dimensions are subject to change without notice  
All dimensions are in mm unless specified